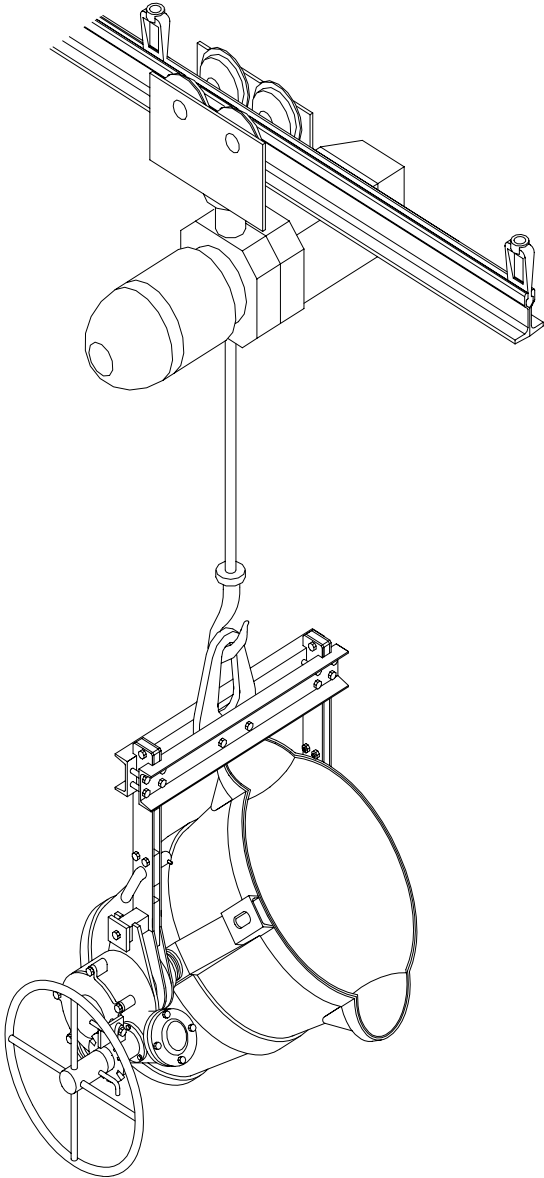


**ATTENTION:
FOUNDRY and MELTING SHOP MANAGERS**

NEW FOUNDRY LADLES



WORKHORSE HEAVY DUTY FOUNDRY LADLES

Designed and manufactured by

Acetarc Engineering Co. Ltd

FULL RANGE OF TYPES AND SIZES

STANDARD OR CUSTOM DESIGNED
TO SUIT YOUR REQUIREMENTS

SUITABLE FOR ALL FERROUS
AND NON FERROUS METALS

MANUAL OR MOTORISED
GEARBOX ROTATION

LIP POUR TEAPOT SPOUT*
BOTTOM POUR LIP AXIS*

TREATMENT LADLES

FOR ALL DUCTILE IRON PRODUCTION PROCESSES

CRUCIBLE HANDLING EQUIPMENT

We can also supply the following
equipment:

- **Ladle Pre-heaters**
- **Monorail Systems**
- **Crane Systems**
- **Furnace Charging & Handling Systems**
- **Hoppers & Sand Silos**

Authorised distributors for:

TC/American Monorail Equipment

**WE CAN ALSO REPAIR, SERVICE
AND TEST LADLES
SUPPLIED BY OTHER
MANUFACTURERS**

**CONTACT OUR OFFICE FOR
MORE DETAILS**

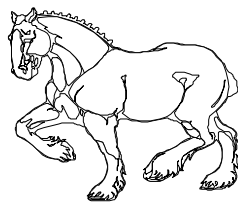
For further details contact:

ACETARC ENGINEERING Co. Ltd.

**ATLEY WORKS
DALTON LANE
KEIGHLEY
WEST YORKSHIRE
BD21 4HT ENGLAND**

**TEL: +44 (0) 1535 607323
FAX: +44 (0) 1535 602522**

**sales@acetarc.co.uk
www.acetarc.co.uk**



**WORKHORSE
FOUNDRY EQUIPMENT**